

# OPERATOR'S SAFETY AND SERVICE MANUAL



## GP5800

This manual covers the following serial numbers  
and higher for each model listed:

GP5800.....5800001



## VIBRATORY PLATE

**MBW, Inc.**  
250 Hartford Rd • PO Box 440  
Slinger, WI 53086-0440  
Phone: (262) 644-5234  
Fax: (262) 644-5169  
Email: [mbw@mbw.com](mailto:mbw@mbw.com)  
Website: [www.mbw.com](http://www.mbw.com)

**MBW Europe Ltd.**  
Units 2&3 Cochrane Street  
Bolton BL3 6BN  
England, UK  
Phone: + 44 (0) 1204 387784  
Fax: 44 (0) 1204 387797  
E-mail: [saleseurope@mbw.com](mailto:saleseurope@mbw.com)  
Website: [mbw-europe.com](http://mbw-europe.com)

L20016 / 11.23.J  
©MBW, Inc. 2015  
Printed in the USA

# TABLE OF CONTENTS

---

<b>SAFETY INFORMATION</b> .....	<b>1</b>	Belt Adjustment .....	5
Introduction .....	1	Checking Exciter Oil .....	6
Safety Precautions .....	1	Changing Exciter Oil .....	7
<b>SPECIFICATIONS</b> .....	<b>3</b>	<b>SERVICE</b> .....	<b>8</b>
<b>OPERATION</b> .....	<b>4</b>	Torque Chart .....	8
Introduction .....	4	Service Tools .....	8
Before Starting & Operating .....	4	Engine Removal .....	8
Starting Engine .....	4	Exciter Removal .....	8
Operating .....	4	Exciter Disassembly .....	8
Stopping Engine .....	4	Exciter Assembly .....	9
Lifting/Transporting .....	4	Exciter installation .....	10
<b>MAINTENANCE</b> .....	<b>5</b>	Parts Replacement Cycles and Tolerances .....	10
Maintenance Schedule .....	5	<b>REPLACEMENT PARTS</b> .....	<b>11</b>
Fluid Levels .....	5	Exciter Assembly .....	12
Engine Maintenance .....	5	Engine Assembly .....	14
Engine Speed .....	5	Roll Cage Assembly .....	16
Cleaning Plate .....	5	<b>WARRANTY</b> .....	<b>18</b>



# **WARNING**



## **CALIFORNIA PROPOSITION 65 WARNING**

Engine exhaust and some of its constituents and dust produced during the use of this product contain chemicals known in the state of California to cause cancer, birth defects, and other reproductive harm.

# SAFETY INFORMATION

## Introduction



This Safety Alert Symbol is used to call attention to items or operations which may be dangerous to those operating or working with this equipment.

The symbol can be found throughout this manual and on the unit. Please read these warnings and cautions, along with all decals, carefully before attempting to operate the unit. Make sure every individual who operates or works with this equipment is familiar with all safety precautions.

### **WARNING**

**GENERAL WARNING.** Indicates information important to the proper operation of the equipment. Failure to observe may result in damage to the equipment and/or severe bodily injury or death.

### **CAUTION**

**GENERAL CAUTION.** Indicates information important to the proper operation of the equipment. Failure to observe may result in damage to the equipment.

## Safety Precautions



**LETHAL EXHAUST GAS:** An internal combustion engine discharges carbon monoxide, a poisonous, odorless, invisible gas. Death or serious illness may result if inhaled. Operate only in a properly ventilated area. **NEVER OPERATE IN A CONFINED AREA!**



**DANGEROUS FUELS:** Use extreme caution when storing, handling and using fuels as they are highly volatile and explosive in vapor state. Do not add fuel while engine is running. Stop and cool the engine before adding fuel. **DO NOT SMOKE!**



**SAFETY GUARDS:** It is the owner's responsibility to ensure that all guards and shields are in place and in working order.



**IGNITION SYSTEMS:** Breakerless, magneto, and battery ignition systems can cause severe electrical shocks. Avoid contacting these units or their wiring.



**SAFE DRESS:** Do not wear loose clothing, rings, wristwatches, etc. near machinery.



**NOISE PROTECTION:** Wear OSHA specified hearing protection devices.



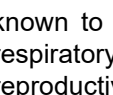
**EYE PROTECTION:** Wear OSHA specified eye shields, safety glasses, and sweat bands.



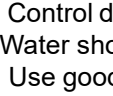
**FOOT PROTECTION:** Wear OSHA specified steel-tipped safety shoes.



**HEAD PROTECTION:** Wear OSHA specified safety helmets.



**OPERATOR:** Keep children and bystanders off and away from the equipment.



**DUST PROTECTION:** Machining, crushing or handling of stone, concrete, masonry, metal and other materials may generate dust, mist and fumes containing chemicals such as silica

known to cause serious or fatal injury or illness such as respiratory disease, silicosis, cancer, birth defects, or other reproductive harm.

- Control dust, mist and fumes at the source where possible. Water should be used to control dust whenever feasible.
- Use good work practices and follow the recommendations of the manufacture, OSHA/NIOSH and other occupational trade associations.
- When hazards cannot be eliminated the operator and any bystanders should always wear a OSHA specified respirator for materials being handled.

**REFERENCES:** For details on safety rules and regulations in the United States, contact your local Occupational Safety and Health Administration (OSHA) office. Equipment operated in other countries must be operated and serviced in accordance and compliance with any and all safety requirements of that country. The publication of these safety precautions is done for your information. MBW does not by the publication of these precautions, imply or in any way represent that these are the sum of all dangers present near MBW equipment. If you are operating MBW equipment, it is your responsibility to insure that such operation is in full accordance with all applicable safety requirements and codes. All requirements of the United States Federal Occupational Safety and Health Administration Act must be met when operated in areas that are under the jurisdiction of that United States Department.

## Safety Decals

Carefully read and follow all safety decals. Keep them in good condition. If decals become damaged, replace as required. If repainting the unit, replace all decals. Decals are available from authorized MBW distributors. Order the decal set listed on the following page.

**CAUTION**

Read the Operating Instructions before operating this piece of equipment.

Keep unauthorized and untrained people away from this equipment.

**ROTATING & MOVING PARTS!** Make sure all guards and safety devices are in place. Avoid breathing dust from operating machine, wear OSHA specified dust mask/respirator.

Wear approved hearing protection, foot protection, eye protection and head protection.

**SHUT OFF** the motor before servicing or cleaning.

**DO NOT RUN** in an enclosed area. The engine produces carbon monoxide, a **POISONOUS GAS**.

Failure to comply could result in serious bodily injury.

20019

20019



22531



21140

**WARNING**

Operating, servicing and maintaining this equipment can expose you to chemicals, including engine exhaust, phthalates and lead, which are known to the state of California to cause cancer and birth defects or other reproductive harm. Avoid breathing engine exhaust. Do not operate equipment in confined areas. For more information go to [www.P65Warnings.ca.gov](http://www.P65Warnings.ca.gov)

21820

**CAUTION**

**HOT SURFACE  
DO NOT TOUCH**

**SURFACE CHAUDE  
NE PAS TOUCHER**

09311



21742

**CAUTION**

Machine may fall and cause injury or damage if lifted improperly. Lift by handles or rollcage only.

GP2000=165 lbs (75 kg)	AP3550=254 lbs (115 kg)
AP2000=193 lbs (88 kg)	GP5800=300 lbs (136 kg)
GP3550=226 lbs (103kg)	

16402

16402

**WARNING**

OPERATION OF THIS EQUIPMENT MAY CREATE SPARKS THAT CAN START FIRES AROUND DRY VEGETATION. A SPARK ARRESTER MAY BE REQUIRED. THE OPERATOR SHOULD CONTACT LOCAL FIRE AGENCIES FOR LAWS OR REGULATIONS RELATING TO FIRE PREVENTION

19791

**WARNING**

**ROTATING PARTS  
can crush and cut.  
Keep hands away!**

12573

**PLATES  
OPERATING INSTRUCTIONS**

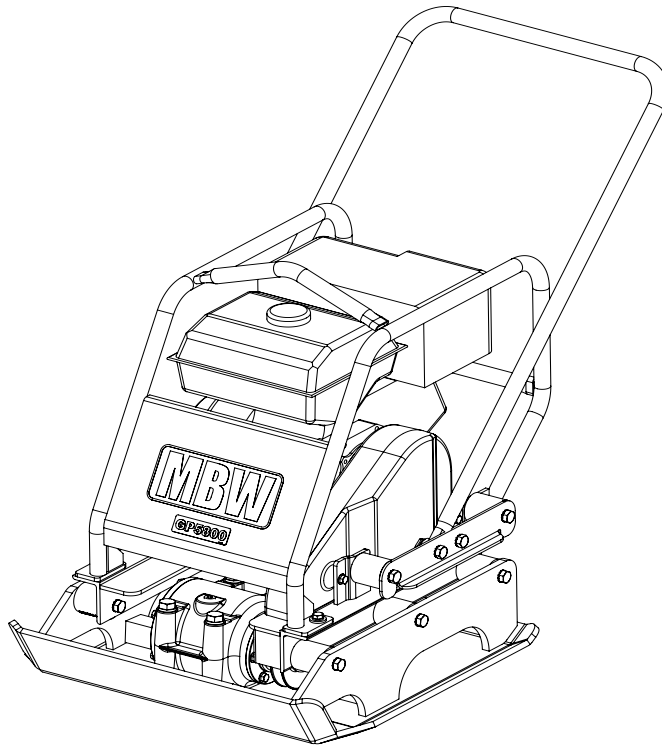
1. Check engine oil.
2. Open fuel valve.
3. Choke engine. A warm engine may not need to be choked.
4. Open throttle part way.
5. Pull starter rope.
6. After starting: open choke, return throttle to idle position.
7. During operation, when excessive kickback is noticed, maximum compaction has been reached.
8. To stop: Return throttle to idle position, use engine stop switch, close fuel valve.

13482

13482

Safety Decals (Decal Set #12100)

# SPECIFICATIONS



	<b>GP5800H</b>
<b>Centrifugal Force</b>	5800 lbf (25.8 kN)
<b>Exciter Speed</b>	4800 vpm
<b>Travel Speed</b>	130 ft./min. (39.6 m/min.)
<b>Compaction Depth</b>	20 in (51 cm)
<b>Plate Size (W x L)</b>	23 x 24 in (58 x 61 cm)
<b>Operating Weight</b>	289 lb. (131 kg)
<b>Engine Speed</b>	3400 rpm
<b>Operating Noise Level<sup>1</sup></b>	96 dBA
<b>Compaction Area</b>	14950 sqft/h (1389 sqm/h)
<b>Engine Model</b>	Honda GX270

Specifications subject to change without notice.

- No universal method or formula has been accepted for determining “Compaction Force”. All manufactures employ their own method or formula.

# OPERATION

## Introduction

MBW equipment is intended for use in very severe applications. They are powered by four cycle engines and are available in different sizes and a selection of engines.

This parts manual contains only standard parts. Variations of these parts as well as other special parts are not included. Contact your local MBW distributor for assistance in identifying parts not included in this manual.

## Before Starting & Operating

- **HANDLE INSTALLATION** - Refer to Roll Cage Assembly, page 16. Install handle by removing handle attachment nuts. Reinstall handle attachment nut through the handle bushings from the inside in. Make sure nylon bushings inside the handle stay in place.
- **REMEMBER!** It is the owner's responsibility to communicate information on the safe use and proper operation of this unit to the operators.
- Review ALL of the Safety Precautions listed on page 1 of this manual.
- Familiarize yourself with the operation of the machine and confirm that all controls function properly.
- Know how to STOP the machine in case of an emergency.
- Make sure hands, feet, and clothing are at a safe distance from any moving parts.
- **OIL LEVEL** - Check the oil level in the engine. For more information see "Lubrication" under the respective engine's "Owners Manual" or the Maintenance section of this manual.
- **AIR CLEANER** - Check to ensure element is in good condition and properly installed.
- **FUEL SUPPLY** - The engines on MBW equipment require an automotive grade of clean, fresh, unleaded gasoline.
- **FUEL FILTER** - If clogged or damaged, replace.

## Starting Engine

1. Open fuel valve.
2. Turn engine switch to "ON".
3. Set throttle to idle.
4. Choke engine if necessary (you may not need to choke a warm engine).

5. Pull starter rope repeatedly until engine starts.
6. Move choke lever to open position.
7. Allow engine to warm up for one or two minutes.

## Operating

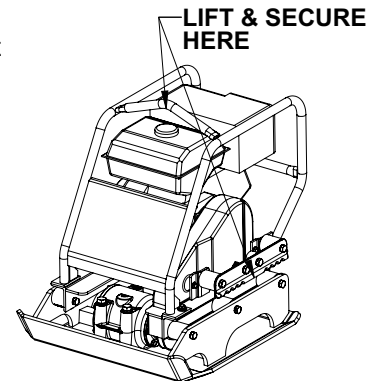
1. Open throttle fully.
2. Compactor will begin vibrating and moving in a forward direction.
3. Maximum compaction of soil has been reached when excessive kickback is noticed in the compactor. The number of passes needed to reach compaction level desired will depend on soil type and moisture.

## Stopping Engine

1. Move throttle to idle position.
2. Let engine idle for one or two minutes.
3. Turn switch on engine to "STOP" position.
4. Turn off fuel valve.

## Lifting/Transporting

1. The unit can be lifted by the handles on the sides of the unit or by the roll cage.
2. The unit must be transported in the upright position. DO NOT lay machine on its side or top.
3. Secure or tie down unit using the lift handles or roll cage.



## WARNING



Always stop the engine before:

Adding fuel.

Leaving the equipment unattended for any amount of time.

Before making any repairs or adjustments to the machine.

# MAINTENANCE



## WARNING



Always exercise the stopping procedure before servicing or lubricating the unit.

After servicing the unit, replace and fasten all guards, shields, and covers to their original positions before resuming operation.



## CAUTION



Always verify fluid levels and check for leaks after changing fluids.

Do not drain oil onto ground, into open streams, or down sewage drains.

## Maintenance Schedule

SYSTEM	MAINTENANCE	EACH USE	EVERY 50 HOURS	EVERY 250 HOURS	YEARLY
Engine	Refer to engine operator/owner manual	X			
Exciter	Check oil level		X		
	Check for oil leaks	X			
	Change oil			X	X
	Tighten Bolts <sup>1</sup>		X		X
Hardware	Check and tighten as needed <sup>1</sup>		X		X
Shockmounts	Check for cracks or tears		X		X

1. Check all hardware after the first 5 hours of use, then follow the maintenance schedule.

## Fluid Levels

SYSTEM	FLUID VOLUME	RECOMMENDED OIL
Exciter	6 oz.	MBW Ground Pounder® Exciter Oil <sup>1</sup>
Engine	Refer to engine operator/owner manual	

1. MBW #01058----- 6-Pack (8 oz. bottles)  
MBW #17320----- 1 quart (32 oz.)

## Engine Maintenance

Refer to the engine Owner's Manual for maintenance intervals and procedures.

## Engine Speed

- Engine speed is factory set according to the speeds listed in the Specifications section of this manual. Do not tamper with the governor setting, the governor establishes safe operating limits which must not be exceeded.
- Refer to the engine Owner's Manual for procedure on setting operating and idle speed.
- The engine operating speed should be set to 3400 RPM.

- The engine idle speed must not exceed 1800 rpm. If the idle speed is greater than 1800 RPM the clutch may not disengage.

## Cleaning Plate

Remove any excess debris which may get into the housing of the unit.

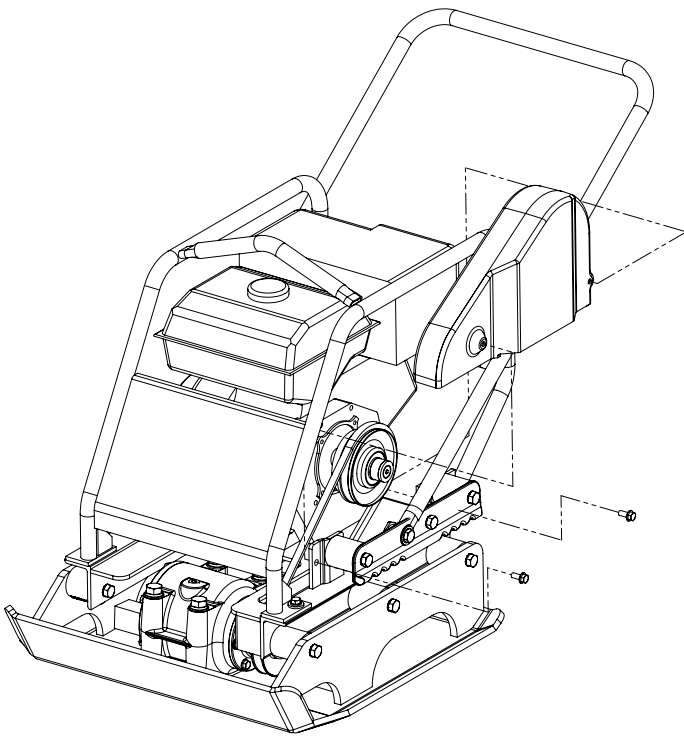
## Belt Adjustment

If any belt stretch develops follow these steps:  
Refer to Roll Cage Assembly, page 16.

- Remove two hex head flange bolts (#10) securing belt guard to roll cage & engine deck and remove belt guard. (See Figure 1)

2. Apply moderate thumb pressure to belt about half way between pulleys. When properly adjusted the belt should deflect approximately 3/8" (9mm). If the belt is adjusted correctly reinstall belt guard and hardware.
3. To adjust belt tension loosen (do not remove) the four engine bolts.
4. Push engine towards the back of the plate. While holding pressure on the engine retighten the four engine bolts.
5. Recheck belt tension as described in Step 2 and readjust if necessary until the proper tension is reached.
6. Reinstall belt guard and hardware.

5. Remove four hex head screws (#11), lock washers (#12) and flat washers (#13). (See Figure 2)
6. Lift roll cage and handle assembly off of engine deck.
7. Clean all dirt and debris from exciter to prevent contamination of exciter oil.
8. Remove pipe plug from top of exciter housing.
9. Rotate exciter shaft so a metal dip stick can be inserted into exciter (see Figure 3).
10. Place a clean metal rod through the oil fill hole as shown in Figure 3.
11. Exciter should have approximately 7/8 to 1" oil.
12. If oil needs to be added, refer to Fluid Levels page of this section for type of oil to be used. **DO NOT OVERFILL**, over filling can cause excessive heat in exciter.



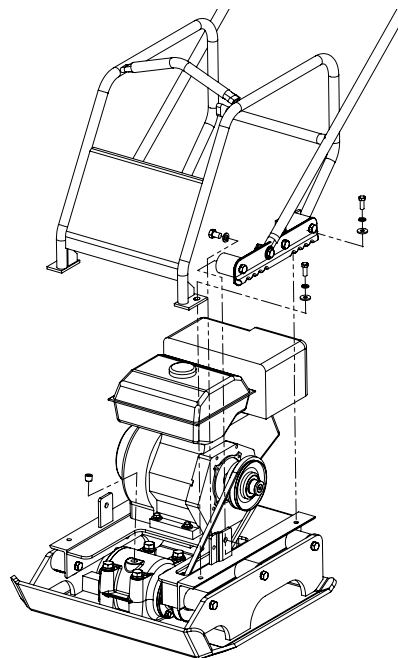
**FIGURE 1**

### Checking Exciter Oil

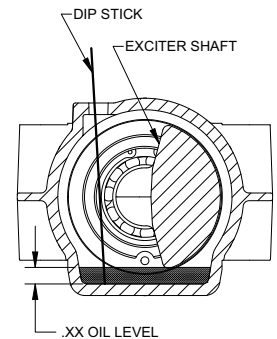
Refer to Roll Cage Assembly, page 16.

<span style="font-weight: bold; font-size: 1.2em; margin: 0 10px;">WARNING</span>
<p><b>Exciter and oil are hot after machine has been running. Allow machine to cool before servicing unit.</b></p>

1. Let exciter cool before checking oil.
2. Place plate on a level surface.
3. Remove belt guard as described in Belt Adjustment section of this manual. (See Figure 1)
4. Remove two hex head screws (#15) and lock washers (#16) securing front handle shock mounts to engine deck. (See Figure 2)



**FIGURE 2**



**FIGURE 3**

13. Apply pipe sealant to pipe plug and reinstall into top of exciter housing.
14. Place roll cage assembly on engine deck.
15. Reinstall four hex head screws (#11), lock washers (#12) and flat washers (#13), hand tight only. (See figure 2)
16. Reinstall two hex head screws (#15) and lock washers (#16) securing front handle shock mounts to engine deck. Slide roll cage forward or backward to line-up mounting holes with front handle shock mounts. (See Figure 2)
17. Assemble belt guard to roll cage and tighten all roll cage hardware.

## Changing Exciter Oil



### WARNING

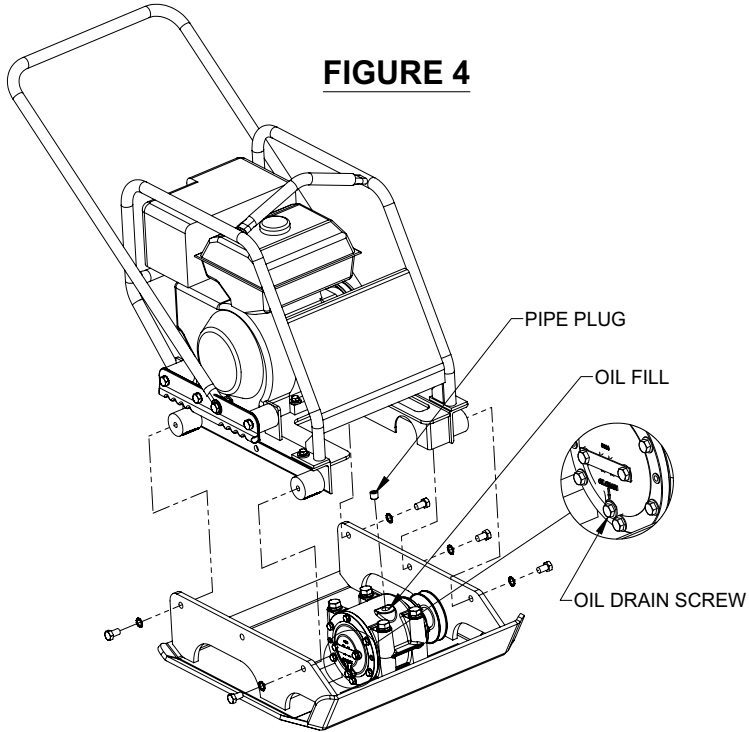


Exciter and oil are hot after machine has been running. Allow machine to cool before servicing unit.

1. Let exciter cool before changing oil.
2. Remove belt guard as described in Belt Adjustment section of this manual. (See Figure 1)
3. Loosen, do not remove, four engine mounting screws and slide engine towards front of machine and remove belt.

Refer to Engine Assembly, page 14.

4. Remove five hex head screws (#15) and lock washer (#16) from base plate and remove engine deck & roll cage assembly. (See Figure 4)



**FIGURE 4**

5. Clean all dirt and debris from exciter to prevent contamination of exciter oil.

Refer to Exciter Assembly, page 12.

6. Remove pipe plug (#26) from top of exciter housing.
7. Remove oil drain screw (#21) and brass washer (#25) from exciter rear cover. Tilt bottom plate housing on it's side to drain oil from housing. After draining oil, return bottom plate housing to the upright position and replace oil drain screw (#21) and brass washer (#25).
8. Fill exciter with MBW Ground Pounder® exciter oil to level specified in the Fluid Levels section of this manual.
9. Apply pipe sealant to pipe plug and reinstall into top of exciter housing.
10. Reinstall engine deck & roll cage assembly, belt and belt guard.
11. Adjust belt tension as specified in Belt Adjustment section of this manual.

# SERVICE

Assembly and disassembly should be performed by a service technician who has been factory trained on MBW equipment. The unit should be clean and free of debris. Pressure washing before disassembly is recommended.

- Prior to assembly, wash all parts in a suitable cleaner or solvent.
- Check moving parts for wear and failure. Refer to the Replacement section in this manual for tolerance and replacement cycles.
- All shafts and housings should be oiled prior to pressing bearings. Also, ensure that the bearings are pressed square and are seated properly.
- All bearings should be replaced when rebuilding any exciter or gearbox.
- All gaskets and seals should be replaced after any disassembly.

## Torque Chart

SIZE	GRADE 2	GRADE 5	GRADE 8
1/4-20	49 in·lbs	76 in·lbs	9 ft·lbs
1/4-28	56 in·lbs	87 in·lbs	10 ft·lbs
5/16-18	8 ft·lbs	13 ft·lbs	18 ft·lbs
5/16-24	9 ft·lbs	14 ft·lbs	20 ft·lbs
3/8-16	15 ft·lbs	23 ft·lbs	33 ft·lbs
3/8-24	17 ft·lbs	26 ft·lbs	37 ft·lbs
7/16-14	24 ft·lbs	37 ft·lbs	52 ft·lbs
7/16-20	27 ft·lbs	41 ft·lbs	58 ft·lbs
1/2-13	37 ft·lbs	57 ft·lbs	80 ft·lbs
1/2-20	41 ft·lbs	64 ft·lbs	90 ft·lbs
9/16-12	53 ft·lbs	82 ft·lbs	115 ft·lbs
5/8-11	73 ft·lbs	112 ft·lbs	159 ft·lbs
5/8-18	83 ft·lbs	112 ft·lbs	180 ft·lbs
3/4-16	144 ft·lbs	200 ft·lbs	315 ft·lbs
1-8	188 ft·lbs	483 ft·lbs	682 ft·lbs
1-14	210 ft·lbs	541 ft·lbs	764 ft·lbs
1-1/2-6	652 ft·lbs	1462 ft·lbs	2371 ft·lbs
M 6	3 ft·lbs	4 ft·lbs	7 ft·lbs
M 8	6 ft·lbs	10 ft·lbs	18 ft·lbs
M 10	10 ft·lbs	20 ft·lbs	30 ft·lbs

### CONVERSIONS

in·lbs x 0.083 = ft·lbs

ft·lbs x 12 = in·lbs

ft·lbs x 0.1383 = kg·m

ft·lbs x 1.3558 = N·m

## Service Tools

Part No.	Description
17320	Ground Pounder® Exciter Oil
016129	Rubber Test Mat
12100	Decal Set

## Engine Removal

Refer to Roll Cage Assembly, page 16.

1. Remove two hex head flange bolts (#10) securing belt guard to roll cage & engine deck and remove belt guard.
2. Remove four hex head screws (#11), lock washers (#12) and flat washers (#13). Lift roll cage & handle assembly off engine deck.

Refer to Engine Assembly, page 14.

3. Remove four engine mounting hex head screws (#10), lock washers (#11), washers (#12) and engine mounting bars (#4).
4. Remove belt (#3), and lift engine off of engine deck (#9).

## Exciter Removal

1. Remove belt guard as described above.
2. Loosen, do not remove, four engine mounting screws (#10) and slide engine towards front of machine and remove belt.

Refer to Engine Assembly, page 14.

3. Remove five hex head screws (#15) and lock washer (#16) from base plate and remove engine deck & roll cage assembly. (See figure 4)

Refer to Exciter Assembly, page 12.

4. Remove four exciter bolts (#12), lock washers (#27), washers (#28) and nuts (#13). If unit has exciter shims (#3) make note of location to assure proper placement during reassembling.
5. Clean exciter and drain oil as described in Changing Exciter Oil section of this manual before proceeding with disassembly.

## Exciter Disassembly

Refer to Exciter Assembly, page 12.

1. Remove flat head screw (#23) and countersunk washer (#11) securing the pulley (#15) to the exciter shaft (#17).
2. Slide pulley off of exciter shaft. be sure not to lose shaft key (#14).

Note: To aid in removal of rear cover you will need two 5/16-18 bolts, minimum grade 5.

3. Remove six flange screws (#24) from rear cover (#18). To press rear cover (#18) off of housing, thread two 5/16-18 grade 5 bolts into thread holes on cover. Turn bolts in with wrench or ratchet to press cover out. When pressing cover off try to keep even pressure on both side to ensure cover comes out straight.
4. Remove six flange screws (#22) from front cover (#16) and remove front cover.
5. Remove snap ring (#10) from exciter shaft (#17).
6. Support exciter assembly on outside diameter of exciter housing (#1) and press exciter shaft out of housing.

Note: If bearings have failed and need to be replace then proceed with bearing removal step 6. If bearings do not need replacing skip to step #11.

7. Support exciter housing (#1) and press out front bearing (#9) from inside out.
8. Remove snap ring (#4).
9. Remove bearing (#8) from rear cover (#18) with 1/4" punch. Tap the bearing out thru the holes for caps screws (#21). Be sure to alternate between holes to avoid cocking the bearing.
10. Remove bearing (#8) inner race from exciter shaft by supporting O.D. of race and pressing exciter shaft thru.
11. Remove filter retainer plate (#2) and filter (#5) by removing two cap screws (#21).
12. Remove pipe plug (#26).

## Exciter Assembly

Refer to Exciter Assembly, page 12.

1. Prior to assembly, clean all parts in a suitable solvent or cleaning solution. When a complete disassembly is done it is recommended that all seals, gaskets and bearings are replaced.

Note: If replacing bearings proceed to step #2, if not replacing bearings skip to step #6.

2. Press front bearing (#9) into exciter housing (#1).
3. Press bearing (#8) inner race onto exciter shaft (#17).
4. Install snap ring (#10) onto exciter shaft, opposite end as pulley.

5. Support I.D. and O.D. of bearing (#9) and press exciter shaft into bearing.
6. Install snap ring (#10) onto exciter shaft on pulley end.
7. Check felt filter (#5) to be sure it is not blocked or deteriorating, Replace if damaged.
8. Check and set end of spirol pin (#20) to be 3/16" from inside of rear cover (#18). See Figure 5.
9. Press bearing (#8) into rear cover (#18) and install snap ring (#4).

Note: To aid in assembly of rear cover you will need three, 5/16-18 x 2-1/2 minimum length bolts, to aid in alignment of rear cover.

10. Apply a light coating oil to I.D. of exciter housing.
11. Apply gasket maker around holes and to flange face of rear cover. (See Figure 5)
12. Set rear cover (#18) on exciter housing and install three alignment bolts into exciter housing.

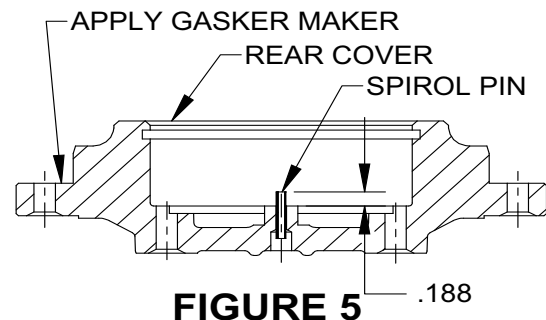


Be sure that the inner bearing race is properly aligned to slide into the bearing. If proper alignment is not maintained the shaft may push the front bearing out of the housing.

13. Carefully press or tap the rear cover (#18) down to seat on the exciter housing. Use care to keep cover straight when installing to prevent damaging housing or cover.
14. Remove the three alignment bolts and install six flange screws (#24) securing the rear cover. Torque flange screws to 13 ft.-lbs.
15. Use medium strength thread lock when installing retainer plate (#2) with 2twocap screws (#21).
16. Install oil drain cap screw (#21) and brass washer (#25).

Refer to Exciter Assembly, page 12.

17. Press oil seal (#6) into front cover (#16), Seal to be press in until flush with front cover.



**FIGURE 5** .188

18. Apply gasket maker around holes and to mounting flange face of front cover.
  19. Install front cover (#16) and six flange screws (#22). Torque flange screws to 13 ft.-lbs.
  20. Install key (#14) on exciter shaft and slide pulley (#15) onto shaft.
  21. Install washer (#11) and flat head screw (#23), torque flange screw to 13 ft.-lbs.
  22. Fill exciter with MBW Ground Pounder® exciter oil to level specified in the Fluid Levels section of this manual.
  23. Apply pipe sealant to pipe plug (#26) and reinstall into top of exciter housing.
2. Check to make sure exciter sits flat on mounting bars, if not shim (#3) as needed.
  3. Install four exciter bolts (#12), lock washers (#27), washers (#28), and nuts (#13). Torque exciter bolts to 150 ft.-lbs.
  4. Reinstall engine deck, belt and roll cage assembly. Adjust belt as describer in Belt Adjustment section of this manual.

## Exciter installation

Refer to Exciter Assembly, page 12.

1. Clean exciter mounting bars on bottom plate. If unit was equipped with exciter shims (#3) replace to

## Parts Replacement Cycles and Tolerances

<b>Bearings</b>	Replace anytime a bearing is rough, binding, discolored or removed from housing or shaft.
<b>Clutch</b>	Replace clutch if it does not disengage below 1800 rpm.
<b>Engine Components</b>	Refer to your engine manufacturer's Owner's Manual.
<b>Hardware</b>	Replace any worn or damaged hardware as needed. Replacement hardware should be grade 5 and zinc plated unless otherwise specified.
<b>Safety Decals</b>	Replace if they become damaged or illegible.
<b>Seals &amp; Gaskets</b>	Replace if a leak is detected and at every overhaul or tear down.
<b>V-Belts</b>	Replace if cracked, torn, or stretched to the point the belt won't tension properly.
<b>Exciter Oil</b>	Replace once every season or every 250 hours. Use 6 oz. (5800 plate) Ground Pounder ® exciter oil.

# REPLACEMENT PARTS

---

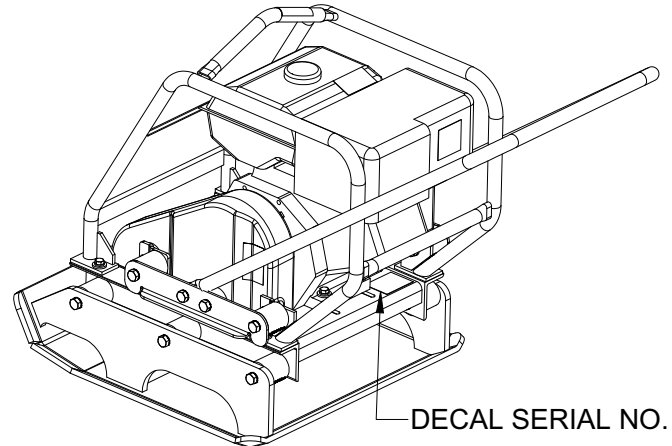
The warranty is stated in this book on page 18. Failure to return the Warranty Registration Card renders the warranty null and void.

MBW has established a network of reputable distributors/dealers with trained mechanics and full facilities for maintenance and rebuilding, and to carry an adequate parts stock in all areas of the country. Their sales engineers are available for professional consultation. If you cannot locate an MBW distributor in your area, contact MBW or one of our Sales Branches listed below.

When ordering replacement parts, be sure to have the following information available:

- Model and Serial Number of machine when ordering MBW parts
- Model and Serial Number of engine when ordering engine parts
- Part Number, Description, and Quantity
- Company Name, Address, Zip Code, and Purchase Order Number
- Preferred method of shipping

**REMEMBER - You own the best! If repairs are needed, use only MBW parts purchased from authorized MBW distributors.**



The unit's serial number can be found in the following locations:

- The model/serial number decal is located on the deck behind the engine.

**Write Model Number here**

**Write Serial Number here**

---

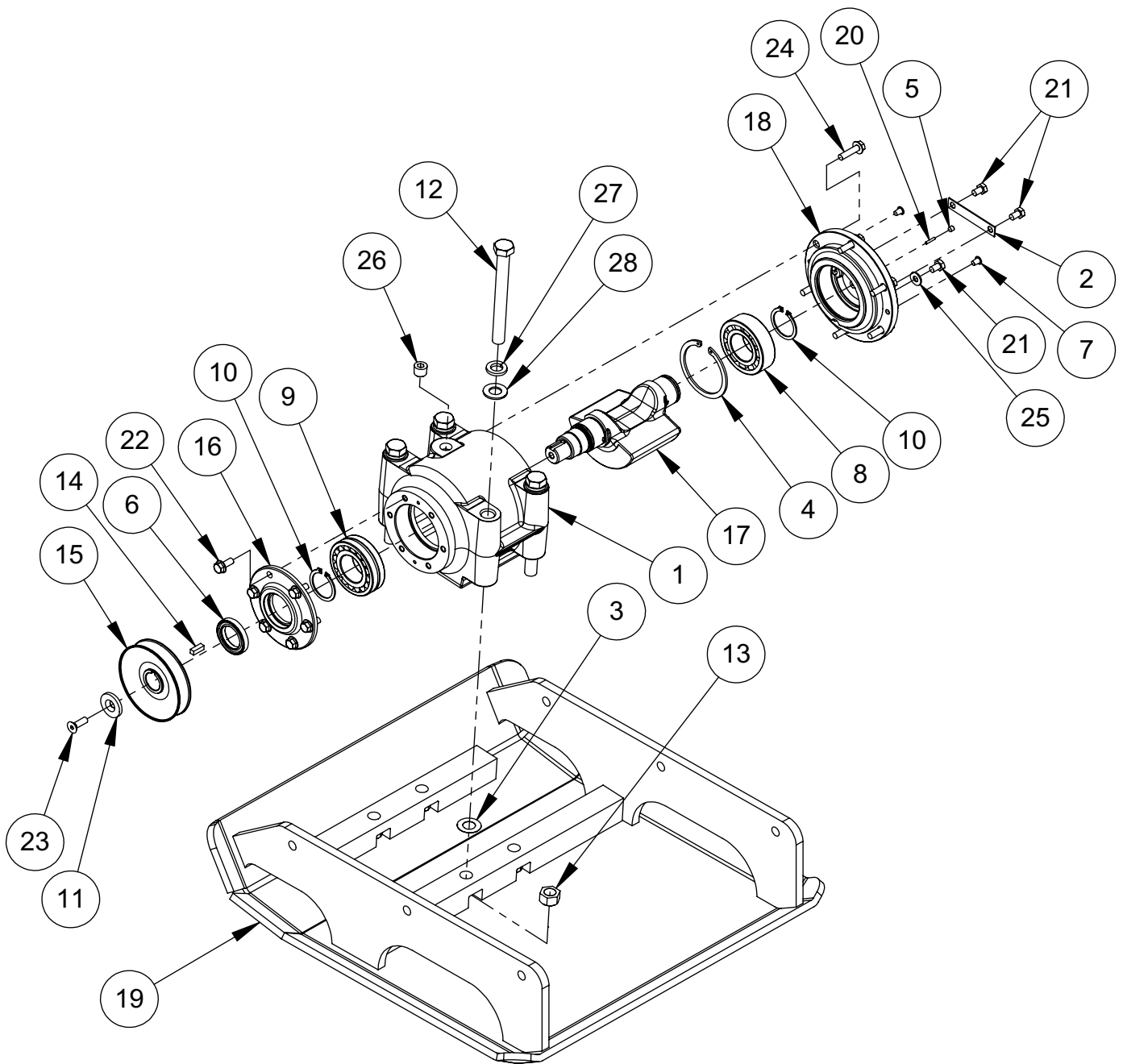
## Contact Information

### **MBW, Inc.**

250 Hartford Rd • PO Box 440  
Slinger, WI 53086-0440  
Phone: (262) 644-5234  
Fax: (262) 644-5169  
Email: [mbw@mbw.com](mailto:mbw@mbw.com)  
Website: [www.mbw.com](http://www.mbw.com)

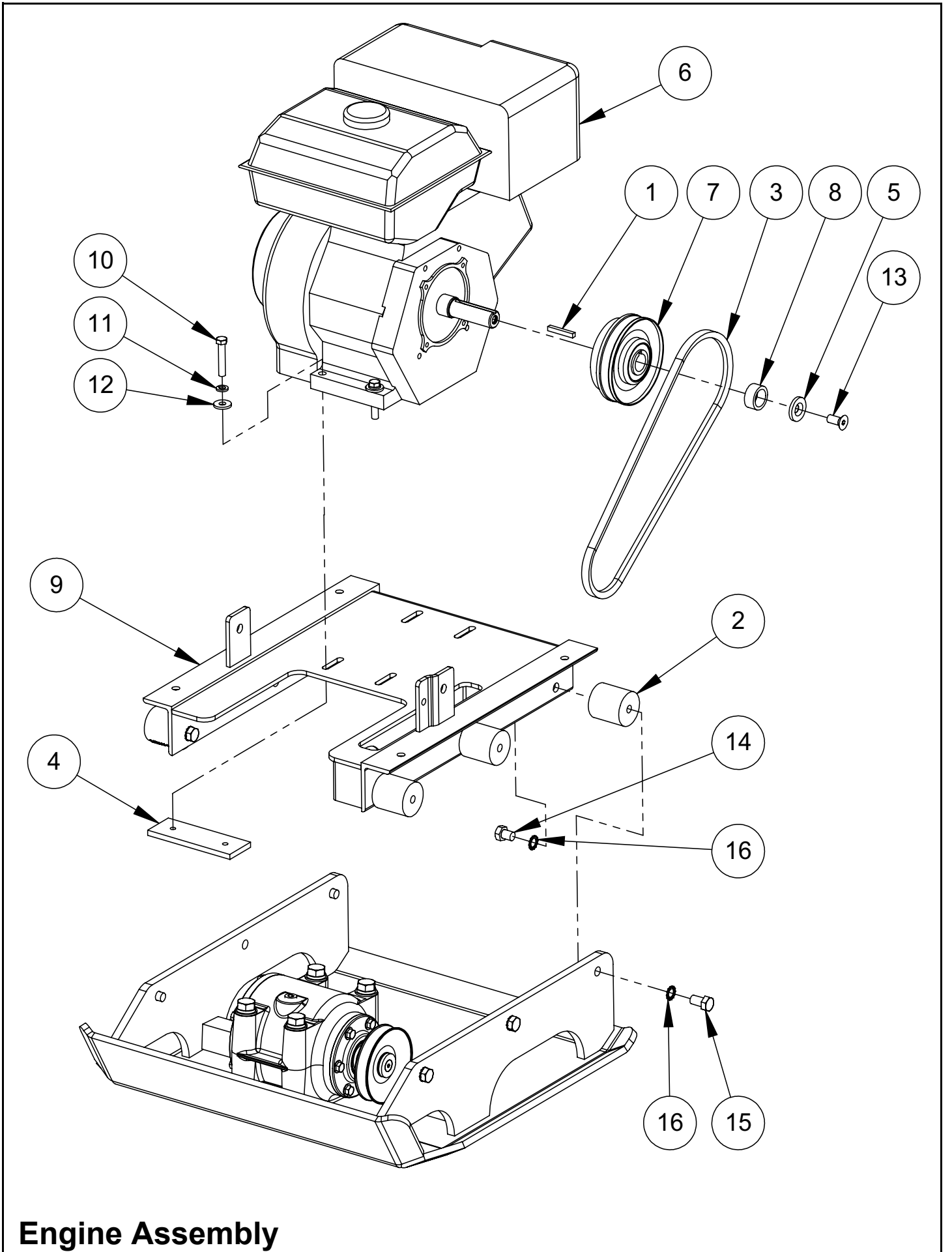
### **MBW Europe Ltd.**

Units 2 & 3 Cochrane Street  
Bolton BL3 6BN  
England, UK  
Phone: + 44 (0) 1204 387784  
Fax: + 44 (0) 1204 387797  
Email: [saleseurope@mbw.com](mailto:saleseurope@mbw.com)  
Website: [mbw-europe.com](http://mbw-europe.com)



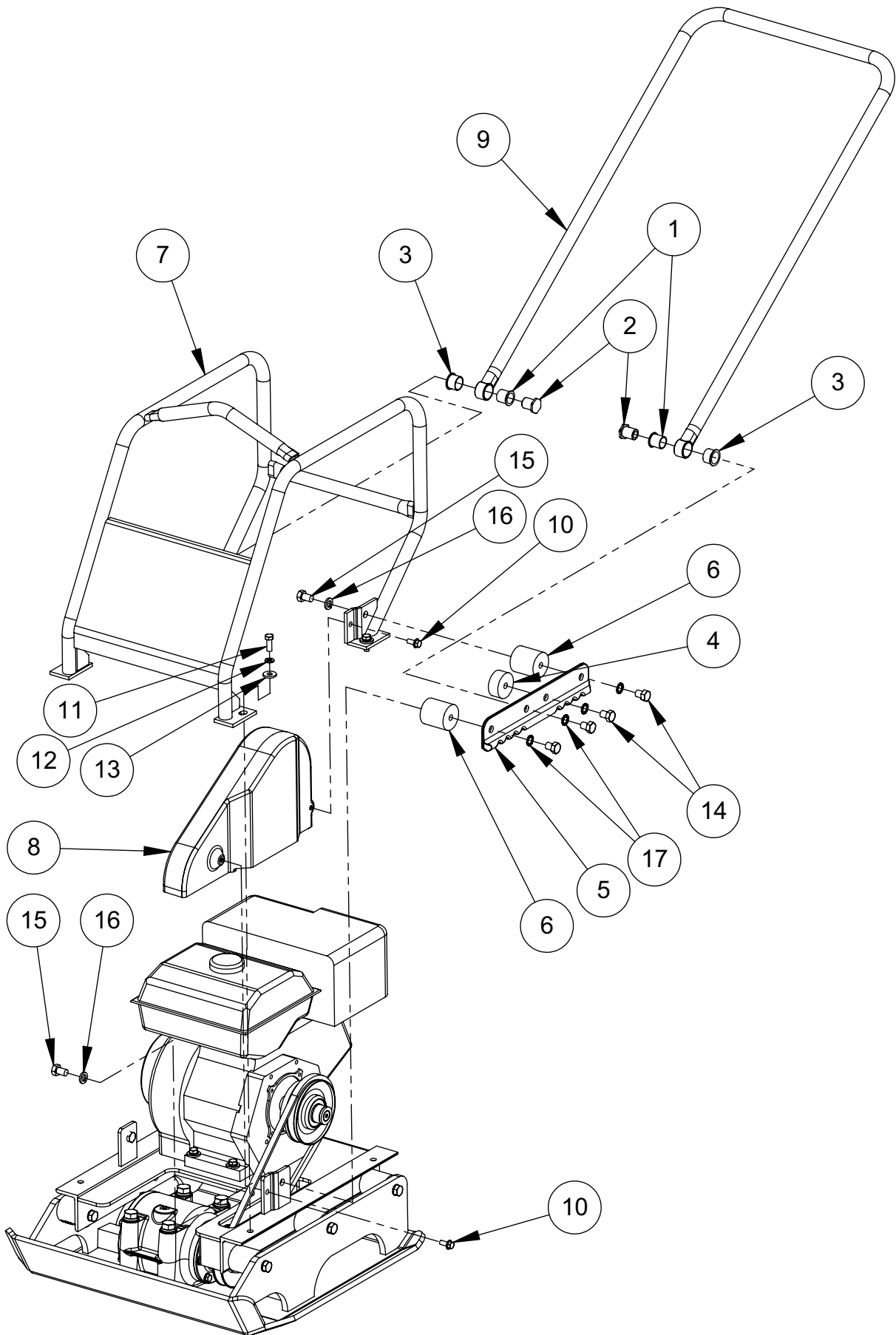
# Exciter Assembly





# Engine Assembly





**Roll Cage Assembly**



# WARRANTY

1. IN GENERAL - The warranties described in this document are provided by M-B-W, INC. and MBW EUROPE, LTD. ("MBW") to define what is, what is not, and for how long machines and parts are covered against material defects and/or defective workmanship. To obtain warranty service, the purchaser must, within the Warranty Period (defined in Paragraph 3): (i) report the product defect to an authorized repair center, (ii) make a written request for repair, (iii) provide proof of purchase to the authorized repair center, and (iv) deliver the equipment to the authorized repair center. A list of authorized repair centers is available on the MBW website (mbw.com) or by contacting MBW at 800-678-5237.

2. COVERED - MBW's obligation under this limited warranty is limited to the cost of the parts and the labor to repair any defect in material and/or workmanship at an authorized MBW repair center. Transportation charges are not covered by this limited warranty.

3. WARRANTY PERIODS - The Warranty Period begins on, as applicable: (i) the product purchase date by an end user or (ii) the first day the product is put into rental or two years after invoice date from MBW to Dealer, whichever starts the warranty period first. To insure that your warranty is in place, fill out the warranty card and mail it in or register your product online at [www.mbw.com/service-support/warranty-registration](http://www.mbw.com/service-support/warranty-registration). The warranty is nontransferable.

The Warranty Period ends after:

- A. New Ground compaction equipment - 2 years.
  - B. New Concrete finishing equipment - 1 year.
  - C. New Utility equipment - 1 year.
  - D. Demonstration equipment - 6 months.
  - E. Wear parts: lubricants, filters, belts and shock mounts - 30 days.
4. NOT COVERED- This warranty does not include, and MBW specifically excluded from any warranty:
- A. Used equipment - all used equipment is not warranted and is sold 'as is' 'where is' with all defects.
  - B. Replacement electrical parts, including but not limited to: electric motors, circuit boards, switches, are not warranted or returnable.
  - C. OEM: engines, batteries, and chargers. Those warranties are covered by the manufacturer.
  - D. Consumable parts: trowel and screed blades.
  - E. Equipment that has been: altered, abused, neglected, not maintained, or modified to run outside its specifications. Any modification to the machine or its parts makes this warranty null and void.
  - F. Other: damage to a product from normal wear, air freight, overtime, pickup and delivery, temporary replacement rentals, freight damage, or other similar incidents.
  - G. Product used in a fashion it was not designed for.
  - H. Parts and labor not performed by authorized dealers.

It is at MBW's discretion if warranty applies and has the right to adjust labor rates on a claim by claim basis.

**5. OTHER - IT IS EXPRESSLY AGREED THAT THIS SHALL BE THE SOLE AND EXCLUSIVE REMEDY UNDER THIS WARRANTY. UNDER NO CIRCUMSTANCES SHALL MBW BE LIABLE FOR ANY COSTS, LOSS, EXPENSE, DAMAGE, SPECIAL DAMAGES, DIRECT DAMAGES, INCIDENTAL DAMAGES, EXEMPLARY, CONSEQUENTIAL, OR PUNITIVE DAMAGES ARISING DIRECTLY OR INDIRECTLY FROM THE USE OF MBW PRODUCT OR DAMAGES FOR LOSS OF USE, LOSS OF ANTICIPATED PROFITS, INCOME, OR ECONOMIC LOSSES OF ANY KIND. MBW'S LIABILITY TO BUYER UNDER THESE WARRANTIES FOR THE PRODUCT IS LIMITED AS SET FORTH HEREIN, WHETHER BASED UPON WARRANTY, CONTRACT, NEGLIGENCE, TORT, STRICT LIABILITY OR ANY OTHER THEORY OF LIABILITY, INCLUDING BUT NOT LIMITED TO FRAUD, MISREPRESENTATION, BREACH OF CONTRACT, PERSONAL INJURY, PRODUCTS LIABILITY OR ANY OTHER THEORY.**

MBW'S LIABILITY UNDER ANY WARRANTY HEREUNDER, WHETHER EXPRESS OR IMPLIED, SHALL NOT EXCEED THE COST OF REPAIR OR REPLACEMENT OF DEFECTIVE PARTS OF THE PRODUCT OR THE PRODUCT. BUYER MAY NOT BRING ANY ACTION UNDER THESE WARRANTIES MORE THAN ONE YEAR AFTER THE CAUSE OF ACTION HAS ACCRUED.

**THE FORGOING WARRANTY IS EXPRESSED IN LIEU OF ALL OTHER WARRANTIES, EXPRESSED OR IMPLIED, INCLUDING THE WARRANTIES OF MERCHANTABILITY, FITNESS FOR USE, AND FITNESS FOR A PARTICULAR PURPOSE, AND ALL OTHER OBLIGATIONS OR LIABILITY ON MBW'S PART. MBW SPECIFICALLY DISCLAIMS AND EXCLUDES ANY AND ALL WARRANTIES OF MERCHANTABILITY AND FITNESS FOR A PARTICULAR PURPOSE.**

**MBW NEITHER ASSUMES NOR AUTHORIZES ANY OTHER PERSON TO ASSUME ON BEHALF OF MBW ANY OTHER LIABILITY OR WARRANTY IN CONNECTION WITH THE SALE OR SERVICE OF ANY MBW PRODUCT.**

Some states do not allow limitations on how long an implied warranty lasts, so the above limitation may not apply to you. This warranty gives you specific legal rights, and you may also have other rights which vary from state to state.