

**ORIGINAL INSTRUCTIONS
GB1000(2V90FE/P)
GASOLINE ENGINE
OPERATOR'S MANUAL**



Read this manual carefully before operation.
This manual includes important guidance for safety operation.

This Manual contains important safety information and instructions for operating this engine. **PLEASE READ THIS MANUAL CAREFULLY.** Failure to do so could result in property damage and/or personal INJURY/DEATH.

Provide this manual to any operator of this engine. This manual should be considered as a permanent part of your engine and should remain with it when you sell it.

The pictures and figures in the manual shall be only for reference and perhaps there will be difference between pictures & figures and physical products.

All information in this publication is based on the latest product information available at the time of printing. We reserve the right to change, alter and/or improve the product and this document at any time without notice and without incurring any obligation.

Write down the engine's serial number and purchase information. Keep this manual and the receipt for future reference.

Model:

Serial number:

Date of purchase:

Contents

I. Operator safety	1
1. Safety rules.....	1
II. Features and Controls	5
III. Operating	7
1. Operating checklist.....	7
2. Starting the engine.....	11
3. Stopping the engine.....	14
4. Terminal application.....	15
5. After each use.....	15
IV. Maintenance	16
1. Maintenance schedule.....	16
2. General maintenance.....	18
3. Idle Speed.....	23
4. Adjustment.....	23
V. Trouble-shooting	24
VI. Storage and transportation	25
VII. Specification	26
1. Specification Parameter Table.....	26
2. Mounting dimensions.....	27
3. Circuit diagram.....	28

I. Operator safety

1. Safety rules



Pay attention to this safety alert symbol. Obey all safety messages that follow this symbol to avoid possible property damage, INJURY or DEATH.

Each safety message is preceded by a safety alert symbol and one of three words, DANGER, WARNING, or CAUTION.

DANGER

Indicates a hazardous situation which, if not strictly complied with, will result in substantial property damage, serious injury or DEATH.

WARNING

Indicates a hazardous situation which, if not strictly complied with, may result in property damage, serious injury or DEATH.

CAUTION

Indicates a hazardous situation which, if not strictly complied with, could result in property damage or injury.



WARNING

READ THIS MANUAL COMPLETELY BEFORE OPERATING.

DO NOT operate this engine until you have read ALL safety, operation, and maintenance Instructions listed in this manual.

Failure to follow the instructions may result in property damage, INJURY or DEATH.

The warnings and precautions discussed in this manual cannot cover all possible conditions and situations that may occur. It must be understood by the operator that common sense and caution are factors which cannot be built into this product, but must be supplied by the operator.

WARNING

This engine is intended for residential consumer use only. Do not modify the engine and do not use the engine for a purpose for which it is not intended.

 **WARNING**

Before each use, check for loose or damaged parts, signs of oil or fuel leaks, and any other condition that may affect proper operation. Repair or replace all damaged or defective parts immediately.

Locate all operating controls and safety labels.

Keep all safety guards in place and in proper working order at all times.

DO NOT allow any material to block the cooling slots.

DO NOT allow children or untrained persons to operate the engine.

DO NOT run the engine unattended. Turn off the Engine before leaving the area.



 **WARNING**

FIRE

Operation of this engine may create sparks that can start fires around dry vegetation.

This engine may not be equipped with a spark arresting muffler. If the engine will be used around flammable materials, or on land covered with materials such as agricultural crops, forest, brush, grass, or other similar items, then an approved spark arrester must be installed.

In some area, a spark arrester is required by law. Please contact local fire agencies for laws or regulations relating to fire prevention requirements.



 **WARNING**

KICKBACK

Rapid retraction of the starter cord will pull hand and arm towards the engine faster than you can let go.

Unintentional startup can result in entanglement, traumatic amputation or laceration. Broken bones, fractures, bruises or sprains could result.

 **WARNING**

Read the instructions provided with the equipment that powered by this engine for any additional safety rules that should be observed in conjunction with engine startup, shutdown, operation, or protective apparel that may be needed to operate the equipment.



WARNING

HOT SURFACE

Running engines produce heat. Severe burns can occur on contact.

DO NOT touch engine while operating or just after stopping. Avoid contact with hot exhaust gases.

Maintain at least three feet of clearance on all sides to ensure adequate cooling.

Combustible material can catch fire on contact. Maintain at least five feet of clearance from combustible materials.

DANGER

Do not tamper with the engine governed speed.

High operating speed is dangerous, and it increases the risk of personal injury or damage to the equipment.

Operating at low speed with heavy load may shorten the engine life.



DANGER

FIRE OR EXPLOSION

Gasoline is highly flammable and extremely explosive.

Fire or explosion can cause severe burns or death.

Keep flammable items away while handling gasoline.

Fill fuel tank outdoors and in a well-ventilated area with the engine stopped.

Always wipe off spilled fuel and wait until the fuel has dried before starting the engine.

DO NOT operate the engine with known leaks in the fuel system.

Use proper fuel storage and handling procedures. DO NOT store fuel or other flammable materials nearby.

Empty the fuel tank before storing or transporting this engine.

Keep fire extinguisher handy and be prepared if a fire starts.



⚠ DANGER

MOVING PARTS

Moving parts can cause severe injury. Keep hands and feet away.

Never place fingers, hands, or body near the engine when it is running.

Do not operate engine when it is covered, shrouded or its guard(s) removed.

Hand, feet, hair and clothing can be caught in moving part, and cause traumatic amputation and severe fracture.

Do not wear loose-fitting clothing, dangling drawstrings or items that could become caught. Tie up long hair and remove jewelry.



⚠ DANGER

TOXIC FUMES

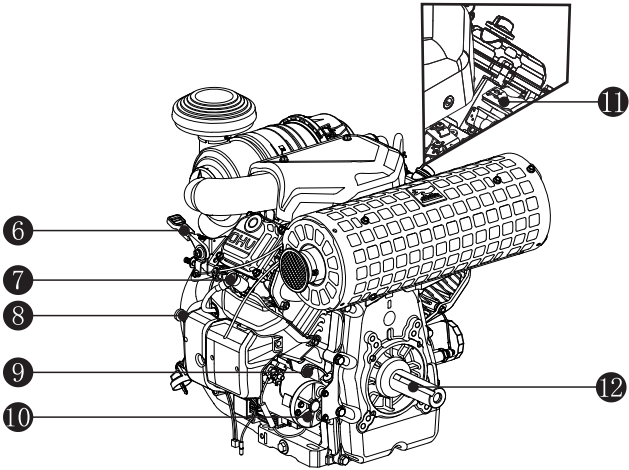
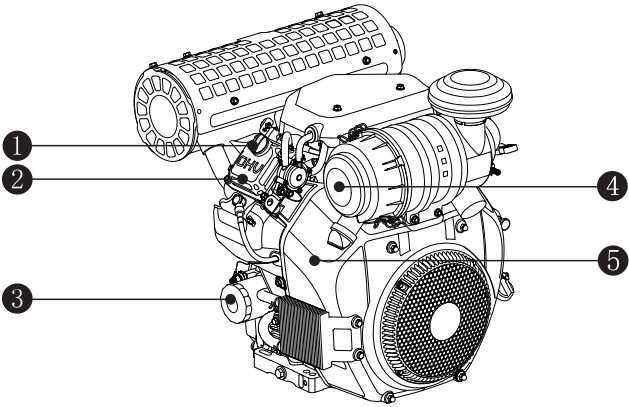
The exhaust of the engine contains carbon monoxide, an odorless, colorless, poison gas. Using engine indoors **CAN KILL YOU!**

NEVER use inside any building or any kind of enclosure, **EVEN IF** doors and windows are open.

Place the engine in a well-ventilated area and carefully consider wind and air currents when positioning the engine.

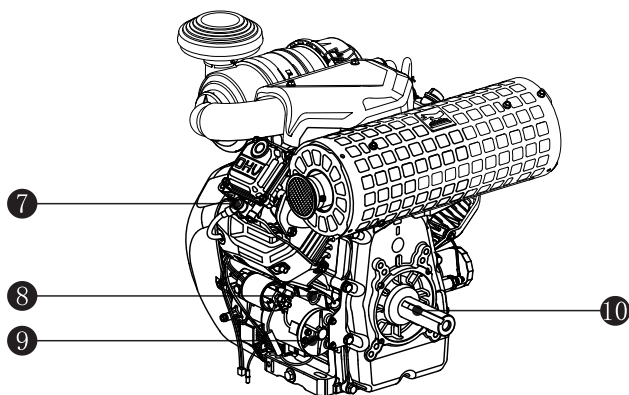
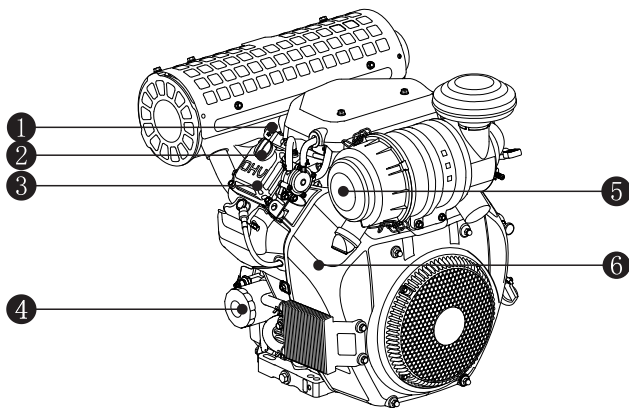
II. Features and Controls

control box status



- ① Oil Plug
- ② Cylinder Head Cover
- ③ Oil fine filter
- ④ Air Filter
- ⑤ Air guide cover
- ⑥ Throttle lever
- ⑦ Lighter
- ⑧ Choke valve lever
- ⑨ Dipstick
- ⑩ Electric Starter
- ⑪ Throttle control
- ⑫ Crankshaft

No control box status



- | | |
|-----------------------|--------------------|
| ① Throttle control | ⑥ Air guide cover |
| ② Oil Plug | ⑦ Lighter |
| ③ Cylinder Head Cover | ⑧ Dipstick |
| ④ Oil fine filter | ⑨ Electric Starter |
| ⑤ Air Filter | ⑩ Crankshaft |

III. Operating

1. Operating checklist

1 Operating Location

Only use OUTSIDE and place the engine in a well-ventilated area and carefully consider wind and air currents.

Place the engine on level surface before any operation.

Allow two feet clearance on all side of the engine while operating it outdoors



⚠ DANGER

TOXIC FUMES

The exhaust of the engine contains carbon monoxide, an odorless, colorless, poison gas. Using engine indoors **CAN KILL YOU!**

NEVER use inside any building or any kind of enclosure, **EVEN IF** doors and windows are open.

High altitude

This engine may require a high altitude carburetor kit to ensure correct operation at high altitudes. Consult your local dealer for high altitude kit information if you always operate your engine at altitudes above 5,000 feet (1,500 meters).

⚠ CAUTION

Even with carburetor modification, engine horsepower will decrease about 3.5% for each 1,000 feet (300 meters) increase in altitude. The effect of altitude on horsepower will be greater than this if no carburetor modification is made.

⚠ CAUTION

Operation the engine at altitude below 5,000 feet (1,500 meters) with modified carburetor may cause the engine overheated and result in serious engine damage. Ask the authorized local dealer for setting the carburetor status back to factory if generator should be used in altitude.

2 Operating Condition

Check for loose or damaged parts, signs of oil or fuel leaks, and any other condition that may affect proper operation. Repair or replace all damaged or defective parts immediately.

⚠ WARNING

Failing to correct problem(s) before operation could result in property damage, serious injury or DEATH.

Remove any excessive dirt or debris, especially around the muffler and recoil starter.

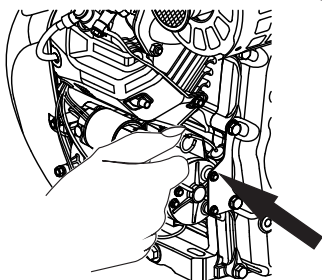
Refer to operating instructions of equipment that this engine powers. Do not operate this engine exceeding maximum angle of operation; see specification table. Engine damage could result from insufficient lubrication.

3 Engine oil

Place the engine on a level surface with engine stopped.

Remove the dipstick and wipe it clean.

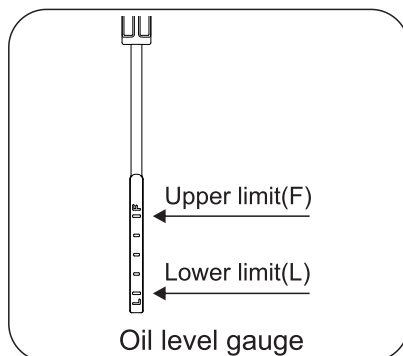
Install the dipstick into the tube.



Remove dipstick

Reinstall dipstick into tube; rest on oil fill neck, DO NOT thread cap into tube.

Remove the dipstick again and check oil level, which should be at least in upper limit.



Fill to the upper limit (marked with "F") of the dipstick with the recommended oil if the oil level is low.

Reinstall the dipstick into the tube.

Refer to **add oil** instruction in **MAINTENANCE** section for more information.

Oil capacity (rated):
See parameters.

WARNING

This engine is not filled with oil at the factory. Any attempt to crank or start the engine before it has been properly filled with the recommended type and amount of oil may result in engine damage and void your warranty.

WARNING

Oil is a major factor affecting performance and service life. Use 4-stroke automotive detergent oil recommended in the **MAINTENANCE** section of this manual.

CAUTION

Operate engine only on level surfaces. The engine is equipped with a low oil sensor (applicable types) that will automatic stop the engine when the oil level falls below the safe limit. To avoid the inconvenient of an unexpected shutdown, fill to the upper limit and check the oil level regularly.

4 Engine fuel

With the engine stopped, check the fuel level gauge. Refill the fuel tank if necessary.

CAUTION

Pressure can build up in the fuel tank. Allow the engine to cool for at least two minutes before removing fuel cap. Loosen the fuel cap slowly to relieve any pressure in the tank.

Use clean, fresh, regular unleaded gasoline.

DO NOT mix oil with gasoline.

Be sure not to fill above the upper limit mark. Always allow room for fuel expansion.

Fuel capacity (rated):
See parameters.

DANGER

Do not fill the fuel tank above the upper limit. Over fill will results in engine die or damage the carbon canister (if equipped) and void your warranty.



⚠ DANGER

FIRE OR EXPLOSION

Gasoline is highly flammable and extremely explosive.

Fire or explosion can cause severe burns or death.

Keep flammable items away while handling gasoline.

Fill fuel tank outdoors and in a well-ventilated area with the engine stopped.

Always wipe off spilled fuel and wait until the fuel has dried before starting the engine.

DO NOT operate the engine with known leaks in the fuel system.

Use proper fuel storage and handling procedures. **DO NOT** store fuel or other flammable materials nearby.

Empty the fuel tank before storing or transporting this engine.

Keep fire extinguisher handy and be prepared if a fire starts.

NEVER use engine or carburetor cleaner products in the fuel tank or permanent damage may occur.

It is important to prevent gum deposits from forming in essential fuel system parts, such as the carburetor, fuel filter, fuel hose or tank during storage. Also, experience indicates that alcohol-blended fuels (called gasohol, ethanol or methanol) can attract moisture, which leads to separation and formation of acids during storage.

Acidic fuel can damage the fuel system of the generating set while in storage. Be sure to review the instructions given in “Storage” section.

Gasoline/Alcohol Blends: up to 10% alcohol, 90% unleaded gasoline by volume is approved as a fuel. Other gasoline/alcohol blends are not approved. Effects of old, stale or contaminated fuel are not warrantable.

⚠ CAUTION

To minimize gum deposits in your fuel system and to insure easy starting, do not use gasoline left over from the previous season.

5 Equipment check

Check the equipment powered by this engine. Review the instructions provided by the equipment manufacturer for any precautions and procedures that should be followed before start the engine.

WARNING

This engine is designed and manufactured for specific applications. Do not attempt to modify the equipment or use it for any application for which it was not designed. If you have questions about specific application, ask your local dealer.

3

Adjust the throttle lever to a proper position .Then twist the starting switch to start the engine.

4

Gradually set the choke valve lever to "on" position when gasoline engine starts. Run it at idle speed for 3-5min to check the stability and no abnormal sound. Then adjust the throttle to reach required speed.

CAUTION

NOTE: The opening choke valve maybe different when starting, relating to the temperature or some other factors.

2. Starting the engine

1

Perform operating checklist (See page 7).

2

Turn the fuel cock to "ON" position.Set the choke valve to "OFF" postion(Also keep the choke valve off when the heat engine start)

Manual starting

WARNING

Check starter cord conditions before operating. Have it replaced immediately by local authorized dealer if cord is

1

When starting engine, grasp the recoil starter handle and pull slowly until resistance is felt. Then pull rapidly to avoid kickback.

2

In case the starter damages, don't suddenly release the handle to strike the gasoline engine. Slowly release towards rebound direction of the starting pull-cord.

⚠ WARNING

KICKBACK

Rapid retraction of the starter cord will pull hand and arm towards the engine faster than you can let go.

Unintentional startup can result in entanglement, traumatic amputation or laceration. Broken bones, fractures, bruises or sprains could result.

**Electric starting
(applicable model)**

Turn the key to the START position and keep moving up until the engine starts. After the engine starts, release the key and return it to the ON position.

If the starter cannot drive the engine to rotate, turn off the starter immediately. Do not attempt to start the engine again before finding the causes of the fault. Prohibit the unauthorized change of other battery for re-start.

⚠ WARNING

Do not continuously start the engine for more than 15 seconds at a time. If the engine fails to start, cool the starting motor for 1 minute before re-start. Otherwise, it may cause damage to the starting motor.

⚠ CAUTION

If engine cannot be started or shutdown after start for three times, check to ensure that the engine is placed on a horizontal surface and is filled with enough oil.

If the engine is equipped with a low oil level sensor, when the oil in the crankcase is below the minimum level, this will prevent the engine from start.

Make the oil routine inspection during the running-in. For the recommended maintenance intervals, see the section Maintenance and Servicing.

If the engine speed is raised to the speed over the starter but does not keep running (fails to start), then the engine must completely stop before start again. If when the flywheel starts to rotate automatically, the starter is still engaged, then there may be a conflict between the flywheel external gear and the starter pinions, and this may cause damage to the starter.

1

After engine started, choke plate should be slowly move to "ON" position along with engine temperature rise. Run engine with idle speed for (3-5) minutes, if engine running unstable(with engine shaking appearance), then move the choke plate to half "ON" position, and turn to "ON" position till engine running stable.

⚠ CAUTION

Choke plate maybe partially "ON" during engine warm up till engine temperature up to certain level. Please keep the choke plate "ON" if engine restarted in heat condition.

2

Engine can be loaded with idle control switch "ON".

Setting the engine speed

1

The engine speed has been set at the factory. Do not attempt adjust the engine speed with unauthorized means; otherwise, it may cause damage to the engine or personal injury.

2

If there are any questions for the operation of the engine or other requirements, please return to our authorized dealers for disposal, unless the user has the proper tools and machine maintenance capabilities.

2

If the gasoline engine has abnormal noise, severe vibration, serious hunting, popping and other defective phenomena during operation, emergently stop the engine. Emergency stop method: directly press the stop switch to the "○" position or pull out the spark plug.

 **CAUTION**

Prohibit direct stop under unloading unless under abnormal conditions!

3. Stopping the Engine

1

To stop the gasoline engine running at high load, first release the load, reduce the speed, move the stop lever to the "○" position after running at idle for (2-3) minutes. Pull out the spark plug to force to stop the engine if the stop switch fails.

3

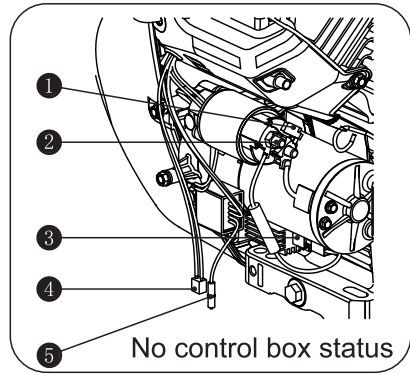
Turn the fuel switch, if any, to the **OFF** position.

4. Terminal application

When the engine is electrically started, use a 12V battery with a capacity of at least 21Ah. Connect the positive electrode of the battery to the terminal of the starting motor relay, and connect the negative electrode to the gasoline bolt and screw or install the negative electrode on the conductive plane of the gasoline engine.

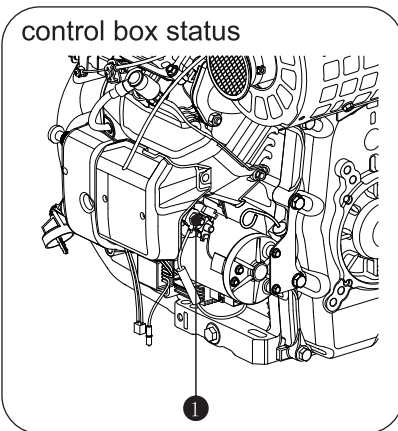
⚠ CAUTION

Prohibit connecting the negative electrode of the battery to three bolts of the mounting base of the oil fine filter.



- 1 Relay connector of starting motor
- 2 Positive terminal of starting motor
- 3 Input cable of carburetor solenoid valve
- 4 Rate of fire

Gasoline engine wiring diagram



- 1 Positive terminal of starting motor

5. After each use

Please pour the fuel and the carburetor fuel out, for a long time does not use, keep the surface is clean, and indoor storage.

IV. Maintenance

It is the owner's/operator's responsibility to complete all scheduled maintenance in a timely manner. Correct any issue before operating the engine.

WARNING

Improper maintenance or failure to correct a problem before operation can cause a malfunction and result in property damage, serious injury or DEATH.

Improper maintenance will void your warranty.

Before servicing the engine, **stop the engine**, disconnect all electric devices and battery (if equipped) and allow the engine to cool down.



DANGER

Accidental starts can cause severe injury or death. Remove and ground spark plug wire before performing any service.

CAUTION

The filter element may contain PAHs, PAHs are harmful for your health. Please wear gloves for protection during air filter maintenance.

1. Maintenance schedule

Before maintenance, shut off engine, disconnect any load and battery (if applied), and let engine thoroughly cool down.

Follow the service intervals indicated in the chart below. Service your engine more frequently when operating in adverse conditions. Contact your local service dealer for your engine or engine maintenance needs.

Item		Regular Service Period*
Engine oil	Check	Each time before use
	Replace	The first month or 20 hours/Every 6 months or 100 hours
Cooling fin	Check/Clean	Every year or 100 hours ^b
Air filter	Check	Each time before use
	Clean	Every 3 months or 50 hours ^b
	Replace	Every year or 300 hours ^b
Spark plug	Check-adjust	Every 6 months or 100 hours
	Replace	Every year or 300 hours
Oil filter	Replace	Every year or 200 hours
Spark arrester ^a	Clean	Every 6 months or 100 hours
Idle speed	Check-adjust	Every year or 300 hours ^c
Valve clearance	Check-adjust	Every year or 300 hours ^c
Combustion chamber	Clean	Every 500 hours ^c
Fuel filter	Check	Every 3 months or 50 hours ^b
	Replace	Every 6 months or 100 hours ^b
Fuel tube	Check	Every 2 years (Replace if necessary) ^c

* Perform at every indicated month or operating hour interval, whichever comes first.

a. If applicable.

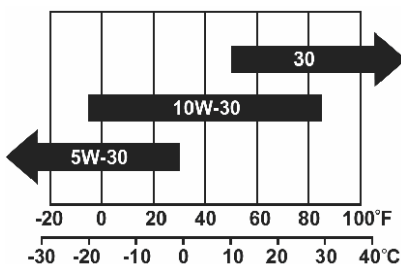
b. Service more frequently under sever, dusty, dirty conditions.

c. To be performed by knowledgeable, experienced owners or the authorized dealer.

2. General maintenance

Engine oil

SAE 10W-30 is recommended for general, all-temperature use. Other viscosities shown in the chart may be used when the average temperature in your area is within the indicated range.



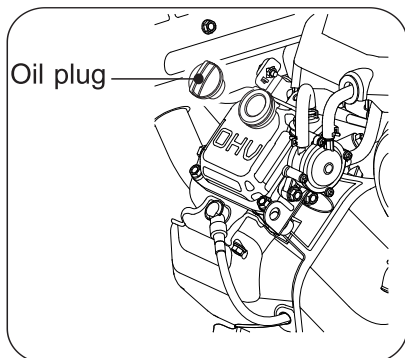
AMBIENT TEMPERATURE

Oil capacity (rated):

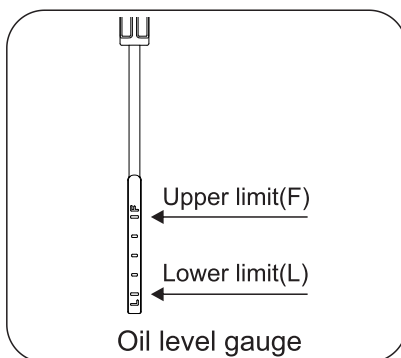
See parameters.

Add oil

- Place the engine on a level surface.
- Remove the oil plug, and fill the oil of the recommended type.



- Remove the dipstick and check the oil filling volume which should be at the upper limit of the scale (F point).



- Completely insert the dipstick into the dipstick hole during inspection.
- Dispose of used oil at an approved waste management facility.

Change oil

CAUTION

Change oil when the engine is warm from operation.

To change the oil of the gasoline engine, it is recommended to run for five minutes without load and then stop the engine for oil change, which can ensure quick and complete drainage of the lubricating oil.

a. Select and place the appropriate container at the oil outlet of the gasoline engine to store the waste oil, and then unscrew the oil plug and the drain bolt and gaskets thereof.

b. When the oil is completely drained, install a new gasket on the drain bolt and re-tighten the drain bolt.

c. Place the gasoline engine levelly, and then fill the oil of the recommended grade to the upper limit of the dipstick.

d. Re-tighten the oil plug.

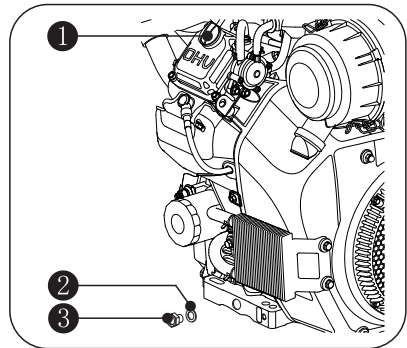
⚠ WARNING

The engine is not filled with oil at the factory. Any operation before it has been properly filled with the recommended type and amount of oil may result in engine damage and void your warranty.

If there is oil overflowed, wipe off the spilled oil. Clean your hands with soap or detergent in contact with the oil, and then rinse with water.

Please dispose the waste lubricant in the container in a manner that is compatible with the environmentally. It is recommended to put the waste lubricant in a sealed container and deliver it to the local recycling bin for treatment. Do

not directly throw it in the trash bin or pour it into the water.



- ① Oil plug
- ② Drain bolt gasket
- ③ Drain bolt

Oil Fine Filter

Replacing the oil fine filter

Drain the oil, and then re-tighten the drain bolt.

a. Remove the oil fine filter, then pour the oil into a suitable container. Put the used oil and fine filter in the appropriate place. In order to prevent deformation or damage to the oil fine filter, do not remove with the conventional wrench; please use a special oil fine filter sleeve.

b. After cleaning the mounting base of the fine filter, clean the seal ring of a new fine filter with new oil.

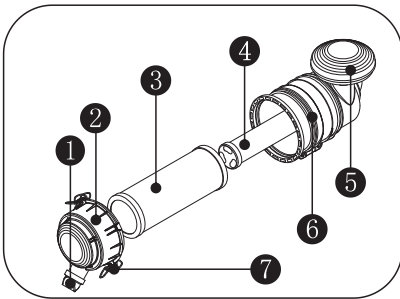
c. Tighten a new oil fine filter by hand directly until the seal ring comes into contact with the mounting base, and then tighten the fine filter with the fine filter sleeve (tightening torque for oil fine filter: $22\text{N} \cdot \text{m} - 27\text{N} \cdot \text{m}$).

d. Re-install the drain bolt and the dipstick, and then fill the recommend oil in the gasoline engine.

e. Start the engine and check for oil leaks.

f. Stop the engine, and then remove the dipstick and check whether the oil level is within the specified range. If the oil level is too low, it is required to refill the oil to the predetermined scale.

Air filter



- ① Escape valve
- ② Air filter cover
- ③ Coarse filter
- ④ Fine filter
- ⑤ Air filter cover
- ⑥ Empty filter body
- ⑦ Gemel

a. Clean area around the air filter.

b. Unhook retaining clips and remove cover.

c. Remove the coarse filter element and the fine filter element.

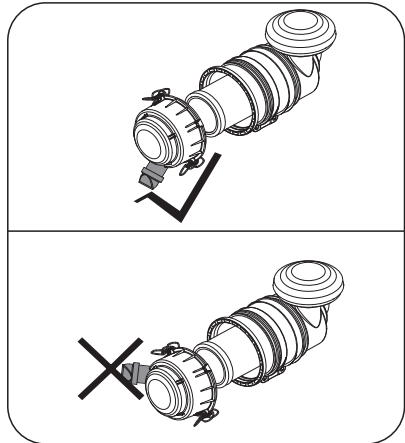
d. Check condition of rubber seal and replace if necessary.

e. Cleaning the paper element: gently tap the filter element for several times. Do not clean the paper filter element with brushes, etc..

f. Install the element into filter.

g. Install the cleaner cap into air filter.

Note: Install the air filter with the vent valve facing down. And tighten the hinge.



⚠ CAUTION

The air filter is a critical emission related component and should not be altered or modified in any way.

Operating engine with loose or damaged air cleaner components could cause engine wear and failure, and void your warranty.

Paper element cannot be blown out with compressed air.

⚠ WARNING

Do not run the engine when the air filter is not installed; otherwise, this may cause damage to the engine.

⚠ DANGER

Do not use the gasoline or the cleaning agent with low ignition point to clean the air filter element; Otherwise, this may result in a fire or cause an explosion.

Spark plug

a. Recommended spark plug: F6RTC.

b. The non-recommended spark plug may cause damage to the gasoline engine.

c. Remove the dirt from the spark plug cap and bottom.

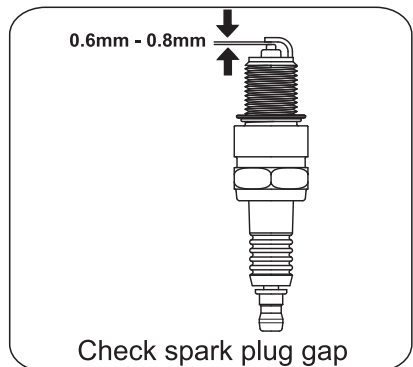
d. Remove the spark plug cap.

e. Using socket wrench to loose and remove the spark plug.

f. Inspect the spark plug and spark plug washer, if it's damaged or worn, replace with new one. Clean the spark plug with wire brush if reuse it.

g. Check spark plug gap. Carefully bend side electrode to adjust the gap if necessary.

Spark plug gap: 0.6mm - 0.8mm



h. Carefully thread the plug into the engine **by hand**.

i. After the spark plug is seated, use spark plug wrench to tighten the plug.

**Spark Plug tighten Torque:
20-25 N.m**

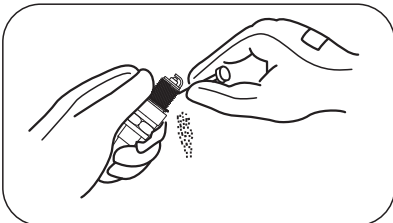
j. Attach the spark plug wire to the plug.

⚠ WARNING

Only use recommended spark plug or equivalent. DO NOT use spark plugs that have improper heat range.

The spark plug must be tightened, and if it is loosened, the combustion chamber will not be sealed tightly when the gasoline engine runs, the compressed air leaks will reduce the power of the gasoline engine and a serious leak will cause that the gasoline engine cannot be started.

To ensure the normal operation of the gasoline engine, the spark plug gap must be moderate without deposits. Clean and adjust the spark plug according to the steps shown.



- a) Remove the spark plug
- b) Remove carbon deposits

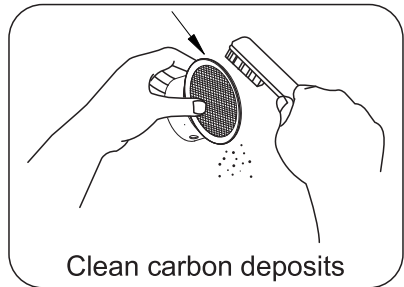
Spark Arrester
(Applicable types)

a. Allow the engine to cool completely before servicing the spark arrester.

b. Remove the two screws holding the cover plate which retains the end of the spark arrester to the muffler.

c. Remove the spark arrester screen.

d. Carefully remove the carbon deposits from the spark arrester screen with a wire brush.



Clean carbon deposits

e. Replace the spark arrester if it is damaged.

f. Reinstall the spark arrester in the muffler and attach with the two screws.

Adjusting the valve clearance

Each gasoline engine is debugged and inspected strictly by the company in the factory. Generally, the machine can work properly without any adjustments. After use for some time, you may need to adjust the gasoline engine with the adjustment method as follows:

a. Hold the valve clearance adjusting nut, and release the valve locking nut.

WARNING

Unauthorized modification may cause damage to the engine and void the warranty.

b. Rotate the valve clearance adjusting nut to a predetermined clearance.

c. Hold the valve clearance adjusting nut and tighten the valve locking nut according to the predetermined torque.

d. Tighten the valve locking nut, and then check the valve clearance again until the valve clearance is in line with the standard.

3. Idle Speed

The idle speed has been pre-set at the factory and should rarely require readjustment. Consult your local authorized dealer for such needs.

WARNING

Unapproved adjustment will damage your engine and/or your electrical devices and void your warranty.

4. Adjustment

There has no other service and/or adjustment need for your engine.

Unapproved adjustments or tampering can damage your engine and your electrical devices and will void your warranty. Contact your local dealer for such needs.

WARNING

Tampering with the factory set governor will damage your engine and void your warranty.

V. Trouble analysis and trouble-shooting

Phenomenon	Problems	Solutions
Engine Cannot be started	Engine switch is off.	Turn engine switch to the ON position.
	There is no fuel	Fill tank per instructions in this manual.
	Inadequate engine oil.	Check oil level. This engine is equipped with a low oil sensor. The engine cannot be started unless the oil level is above the prescribed lower limit.
	There is no ignition	Remove the spark plug cap. Clean any dirt around the plug base, then remove the spark plug. Install the spark plug in the plug cap. Turn the engine switch on. Grounding the electrode to any engine ground, pull the recoil starter to see if sparks jump across the gap. If there is no spark, replace the plug. Reinstall the plug and start engine according to instructions in this manual. Consult Customer Service.

VI. Storage and transportation

Storage

DO NOT mix oil with gasoline. The engine should be started at least once every 2 weeks and allowed to run for at least 20 minutes. Follow the instructions below for longer term storage if the engine were out of service for 2 months or more.



Fire or explosion

Gasoline is highly flammable and extremely explosive. Empty the fuel tank and shut off fuel valve before storing or transporting this engine.

- 1.Change oil while engine is still warm from operation.
- 2.Allow the engine to cool completely.
- 3.Drain all fuel completely from the fuel tank, fuel hose and carburetor.
- 4.Remove spark plug and pour about 1 oz. of engine oil into cylinder. Reinstall spark plug. Crank engine slowly to distribute oil and lubricate cylinder.
- 5.Clean the engine according to the instructions in the Maintenance section.

- 6.Store the unit in a clean, dry area out of direct sunlight.

Transportation

To prevent fuel spillage when transporting or during temporary storage, the washer should be secured upright in its normal operating position, with the engine switch OFF. The fuel valve lever should be turned OFF.

WARNING

When transporting:

Do not overfill the tank. Do not operate the washer while it is on vehicle. Take the washer off the vehicle and use it in a well-ventilated place. Avoid a place exposed to direct sunlight when putting the washer on a vehicle. If the washer is left in an enclosed vehicle for many hours, high temperature inside the vehicle could cause fuel to vaporize resulting in a possible explosion. Do not drive on a rough road for an extended period with the washer on board. If you must transport the washer on a rough road, drain the fuel from the washer beforehand.

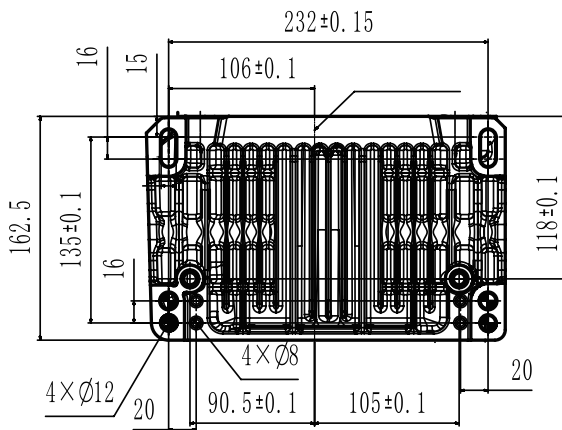
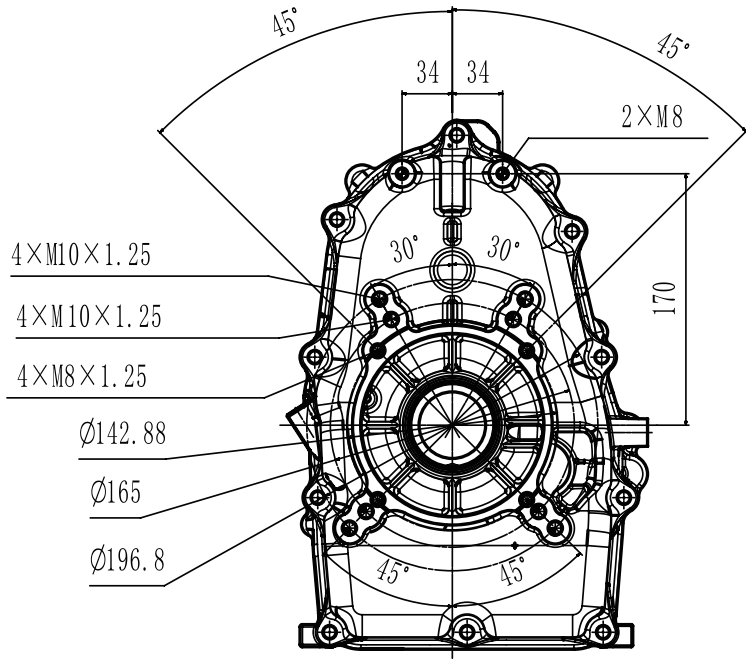
VII. Specification

1. Specification Parameter Table

Category	Item	GB1000	
Main structure parameters	Air valve arrangement	Overhead valve	
	Number of air cylinders	2	
	Air cylinder diameter(mm)	90	
	Piston stroke(mm)	78.5	
	Displacement(cm ³)	999	
	Compression ratio	9.0:1	
	Rated power(kW)	24	
	Rated speed(min ⁻¹)	3600	
	Direction of rotation	Anticlockwise(from the crankshaft output side)	
	Ignition advance angle	30° ± 2°	
	Valve clearance	Admission valve clearance (mm)	0.10-0.15
		Emission valve clearance (mm)	0.15-0.20
	Spark gap(mm)	0.6-0.8	
Fuel and oil	Lubricating oil brand	SAE 10W-30	
	Fuel supplier	carburetor	
	Fuel capacity(L)	/	
	Oil capacity(L)	2.5	
Dimension and mass	Dimension(mm) (Length×Width×Height)	575×515×465	
	Net mass (kg) (excluding oil, water and chassis)	54	

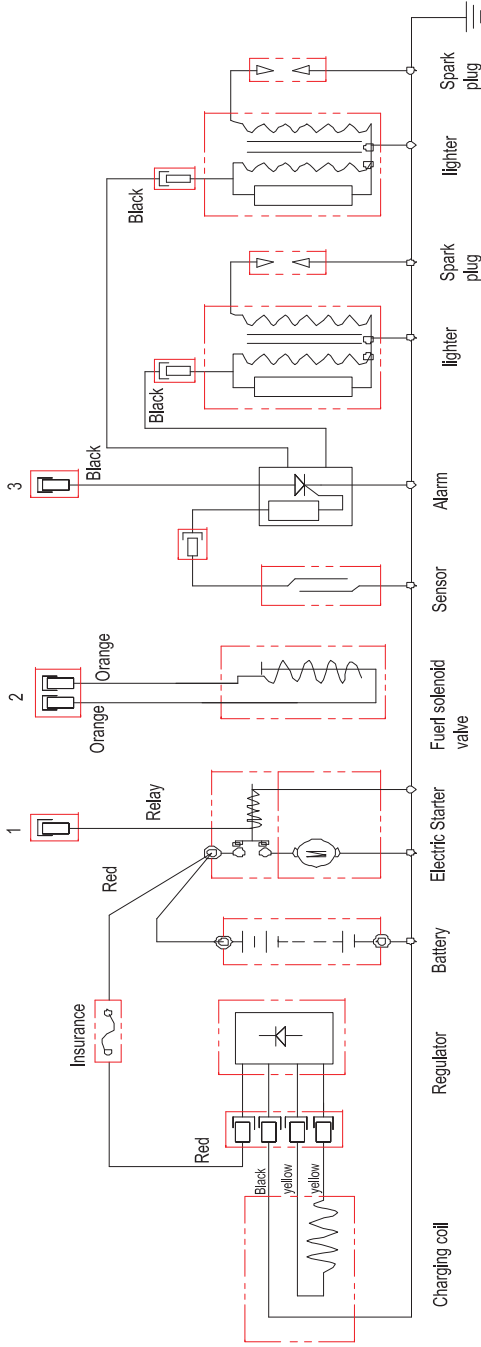
Notes: The gasoline engine with different specification and configurations may have different parameters and may change at any time without notice.

2. Mounting dimensions

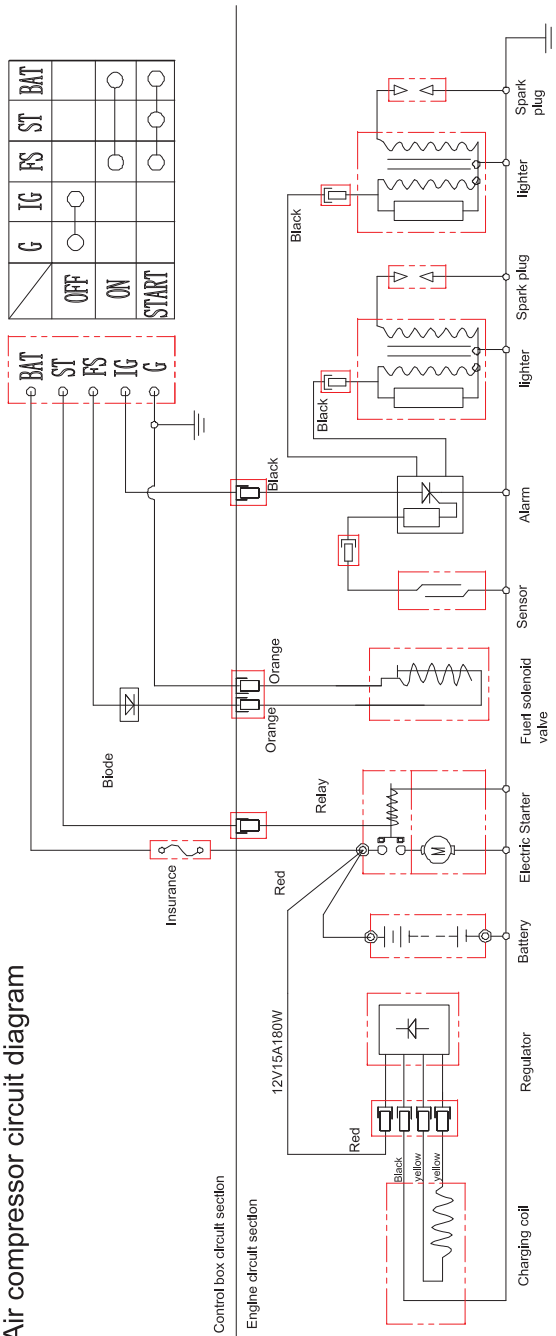


3、Circuit diagram

1. Terminal connection generator



2. Air compressor circuit diagram





CHONGQING ZONGSHEN GENERAL POWER MACHINE CO., LTD.

Address: Chaoyouchang, Ba'nán District, Chongqing 400054, China

Phone: 0086-23-66372525 Hot Line: 0086-4001380026

<http://www.zongshenpower.com>

2511#/V1.1